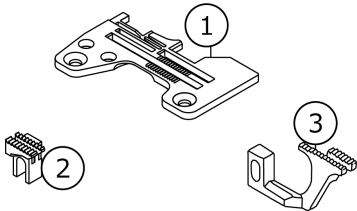


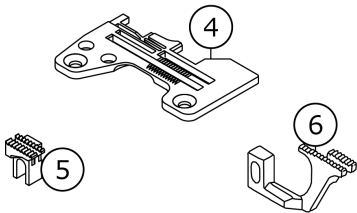
MO-6714 SUBCLASSES

MO-6712S, MO-6714S SUBCLASSES (1)

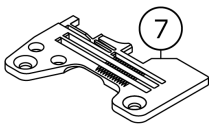
1.MO-6714S-BD4-307



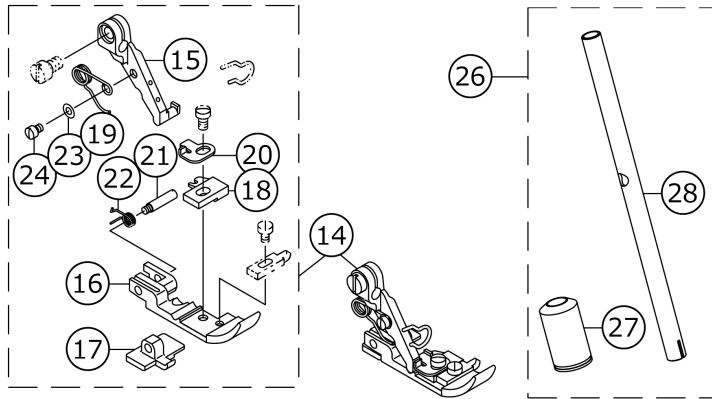
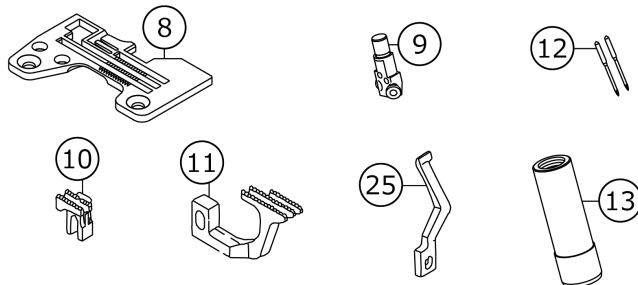
2.MO-6714S-BE4-307



3.MO-6714S-BD6-307



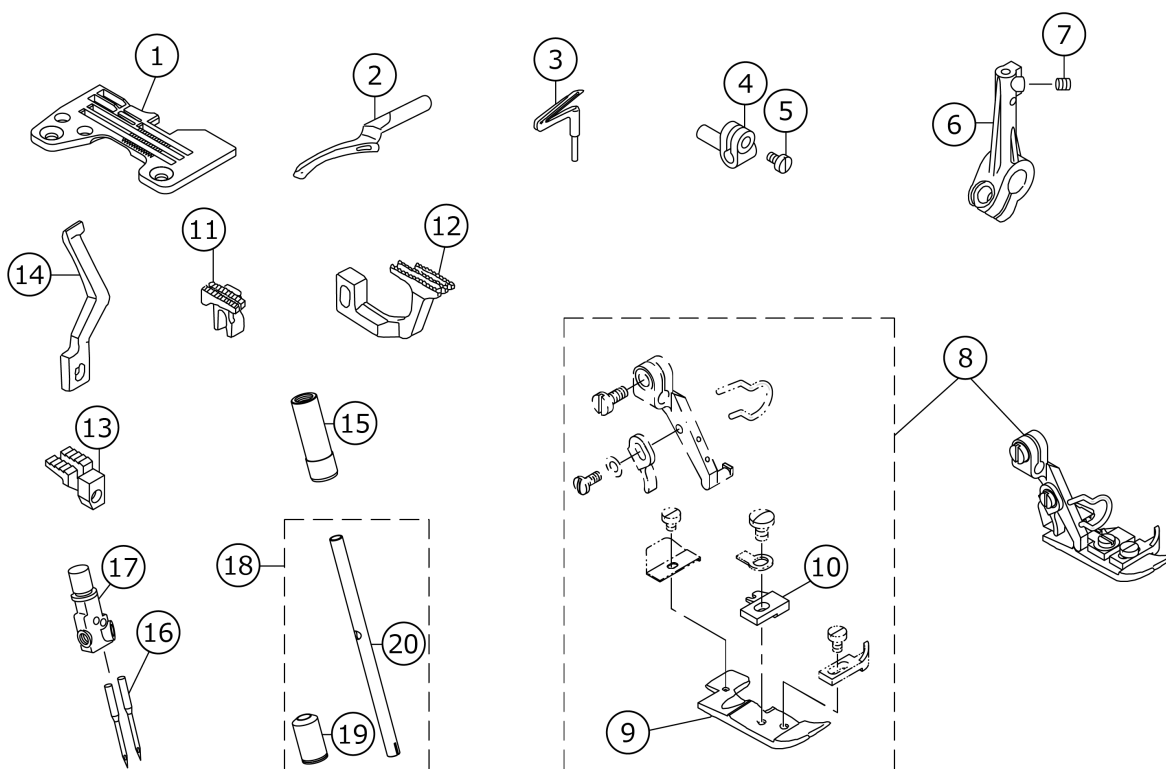
4.MO-6712S-DF6-507



No.	品番	品名	備考	子部品	消耗品	個数
1	R4205J6DE00	THROAT PLATE				1.00
2	11597101	MAIN FEED DOG				1.00
3	B1657814B0E	DIFFERENTIAL FEED DOG				1.00
4	R4205J6EE00	THROAT PLATE				1.00
5	11597101	MAIN FEED DOG				1.00
6	B1657814B0E	DIFFERENTIAL FEED DOG				1.00
7	R4305J6DE00	THROAT PLATE				1.00
8	R4308J6FE0A	THROAT PLATE				1.00
9	12149407	NEEDLE CLAMP, 2-NEEDLE				1.00
10	11984309	MAIN FEED DOG				1.00
11	11980604	DIFFERENTIAL FEED DOG				1.00
12	MDC270B1400	NEEDLE DCX27 #14				2.00
13	13207600	NEEDLE HOLDER BUSHING,UPPER				1.00
14	11983863	PRESSER FOOT ASM				1.00
15	11984002	PRESSER HINGE		*		1.00
16	11983806	CLOTH PRESSER		*		1.00
17	11983905	REAR PRESSER FOOT		*		1.00
18	11790607	STITCH TONGUE		*		1.00
19	11984200	PRESSER SPRING		*		1.00
20	11984101	SPRING		*		1.00
21	11930807	HINGE PIN		*		1.00
22	11931706	SPRING		*		1.00
23	WP0371026SD	WASHER 3.7X7X1		*		1.00
24	SS7080520SP	SCREW 1/8-44 L=4.9		*		1.00
25	11890407	NEEDLE GUARD				1.00
26	13210059	NEEDLE HOLDER (B),ASM.				1.00
27	13207709	NEEDLE HOLDER BUSHING,LOWER		*		1.00
28	13210000	NEEDLE HOLDER (B)		*		1.00

MO-6712S, MO-6714S SUBCLASSES (2)

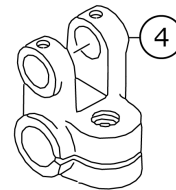
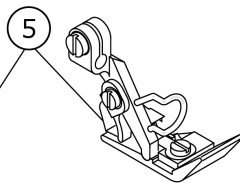
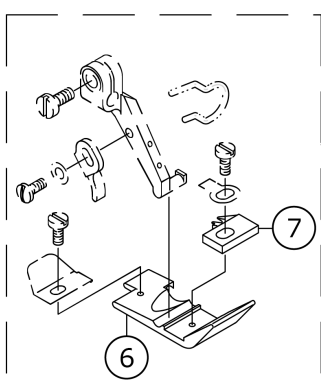
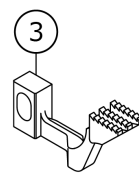
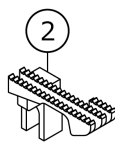
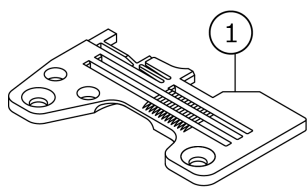
5.MO-6712S-DF6-50F



No.	品番	品名	備考	子部品	消耗品	個数
1	R4308J0FE0B	THROAT PLATE				1.00
2	11996600	UPPER LOOPER				1.00
3	11995206	LOWER LOOPER				1.00
4	11544707	UPPER LOOPER SUPPORT ARM				1.00
5	SS6080410SP	SCREW 1/8-44 L=4				1.00
6	12123709	LOWER LOOPER SUPPORT ARM				1.00
7	SS8110422TP	SCREW 11/64-40 L=4				1.00
8	11877164	PRESSER FOOT ASM.				1.00
9	11790508	PRESSER FOOT		*		1.00
10	11790607	STITCH TONGUE		*		1.00
11	11882503	MAIN FEED DOG				1.00
12	11790706	DIFFERENTIAL FEED DOG				1.00
13	11987005	AUXILIARY FEED DOG				1.00
14	11890407	NEEDLE GUARD				1.00
15	13207600	NEEDLE HOLDER BUSHING,UPPER				1.00
16	MDC270B1400	NEEDLE DCX27 #14				2.00
17	12149407	NEEDLE CLAMP, 2-NEEDLE				1.00
18	13210059	NEEDLE HOLDER(B) ASM.				1.00
19	13207709	NEEDLE HOLDER BUSHING,LOWER		*		1.00
20	13210000	NEEDLE HOLDER(B)		*		1.00

MO-6712S, MO-6714S SUBCLASSES (3)

6.MO-6714S-BE6-327



No.	品番	品名	備考	子部品	消耗品	個数
1	R4305J0EE0A	THROAT PLATE				1.00
2	11883402	MAIN FEED DOG				1.00
3	12171807	DIFFERENTIAL FEED DOG				1.00
4	12119210	FORKED CRANK				1.00
5	11879368	PRESSER FOOT ASM.				1.00
6	11974102	PRESSER FOOT		*		1.00
7	B150981400P	STITCH TONGUE		*		1.00

HOW TO MAKE USE OF THIS PARTS LIST

1.As to "#01" and "#02" refer to the "Note" given at the bottom of the respective pages.

2.Codes on the "Qty" column

- Each numeral indicates the number of parts required.
- "0.1" and "2.5" indicate the length (in meters) of the respective parts.

3.Parentheses mean that the corresponding part is a subpart that constructs an assembly part.

4.Dotted lines on the Figures indicate assembly parts.

1. リストページの# 0 1、# 0 2の印は、ページ下の"注記"の説明を参照下さい。

2. 数量欄の数字は、個数を表し、0. 1、2. 5等の数値は、長さ（単位メートル）を表します。

3. 数量欄の（ ）は、組部品を構成している子部品であることを意味します。

4. イラストページの-----枠は、組構成であることを意味します。